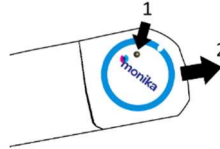
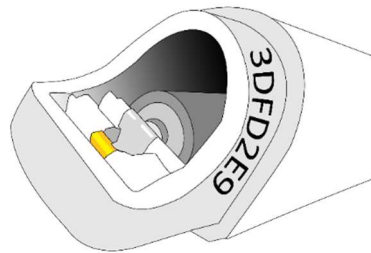


Changing Batteries in a Monika Smart Probe

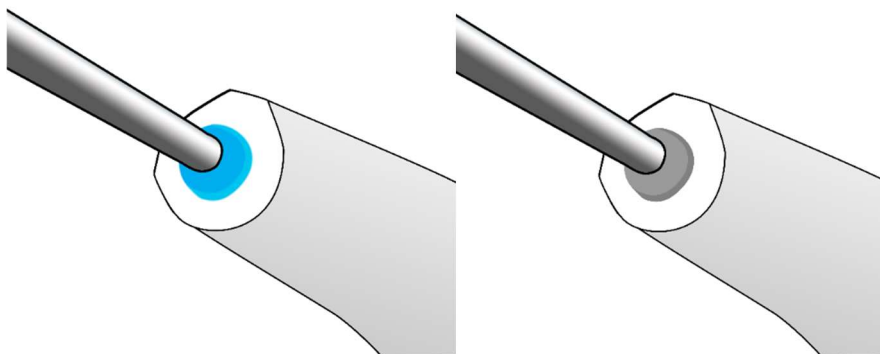
- 1 OPEN:** Once you receive a new Smart Probe, unpack it, remove the end cap by pressing the brass pin in with a pen or other pointed blunt object (1) and then pulling the cap off in the direction shown below (2).



- 2 REMOVE:** the old Batteries from the Smart Probe
- 3 INSERT:** x2 New AA batteries as shown in the diagram below:



- 4 SHAKE:** Give the Smart Probe a shake to wake the unit up. You should see a Blue light flashing at the base of the spike to denote wireless connection status of the Smart Probe on your network, it should join automatically. If it does you will see a blue light flashing at approx. once a second.



- PLEASE NOTE:** If you have no light on the Smart Probe the batteries you inserted may be the wrong way around, REMOVE THEM IMMEDIATELY and replace them in the correct orientation. If there is a Permanent Blue light on this means the unit has not managed to join the Monika zigbee network correctly, you'll need to call the service desk for assistance